

FL45028000

FL45 LED

FL45 15000 850 110-240 WB

Elnumber:

EAN-nr: 4036538595554

Stock code: M

The floodlights are designed according to rules of maritime classification societies, additional VDE and IEC/EN. Seawater resistant aluminium module for excellent cooling. Stainless steel mounting bracket.



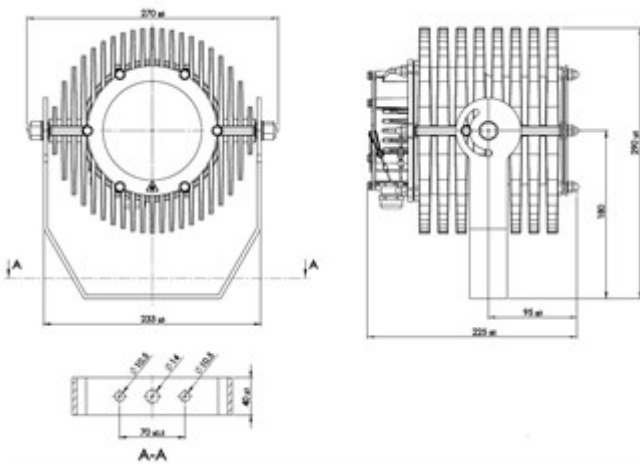
Technical data	
Maximum ambient temperature (°C)	55
Minimum ambient temperature (°C)	-40
IP classification	66/67
Dimensions	
Net weight (kg)	7,7
Height (mm)	290
Width (mm)	225
Gross weight (kg)	8
Length (mm)	270
Body	
Colour of body	White
Body colour code	RAL 9016
Body material	Aluminium seawater resistant
Optic	
Optic	WB = Wide Beam
Material of diffuser	Safety glass
Colour of reflector	Silver
Material of reflector	Aluminium
Electrical data	
Maximum voltage +10% (V)	240
Maximum frequency +5% (Hz)	60
Minimum frequency -5% (Hz)	50
Minimum Voltage -10% (V)	110
Maximum voltage in DC	240
Total consumption (W)	123
Minimum voltage in DC	110
Electromagnetic compatibility	EMC1
Power factor	0,9

Ballast/Driver	
Type of ballast/driver	HF (High frequency)
Number of ballast/driver	1
Light data	
Number of lamps	1
Lamp code supplied light source	CRI >80, 5000K
Light source	LED White
System Lumen/Watt	111
Nominal lumen value (lm)	15000
Rated system lifetime at Ta 45°C	50.000h
Lamp power (W)	123
System Lumen Out	13596
Termination	
Number of blind plugs	1
Number of cable glands	1
Type of blind-plug	M20-Brass
Type of cable gland	M20-Nickel plated brass
Minimum cable diameter	7
Maximum cable diameter	13
Ready for mounting	Bracket Stainless steel 316L
Remarks	
Remarks	Cable entry: 1xM20x1.5 brass nickel plated D7-13mm and blind plug: 1xM20x1.5 brass

FL45028000

FL45 LED

Drawings



- 9840291000 SB
- 9840291100 NB
- 9840291300 MB
- 9840291400 WB
- 9840291500 XWB

